



LD-LRS3611

LD-LRS

2D LIDAR SENSORS

SICK
Sensor Intelligence.



Ordering information

Type	Part no.
LD-LRS3611	1067186

Other models and accessories → www.sick.com/LD-LRS



Detailed technical data

Features

Version	Extended Range
Application	Outdoor
Light source	Infrared (905 nm)
Laser class	1 (IEC 60825-1:2014, EN 60825-1:2014)
Aperture angle	360°
Scanning frequency	5 Hz ... 15 Hz
Angular resolution	0.125°, 0.1875°, 0.25°, 0.375°, 0.5°, 0.75°, 1°, interlaced: 0.0625°
Heating	Yes
Operating range	5 m ... 250 m
Max. range with 10 % reflectivity	120 m

Performance

Detectable object shape	Almost any
Systematic error	± 38 mm ¹⁾
Statistical error	30 mm ¹⁾

¹⁾ Actual value depends on environmental conditions.

Interfaces

Ethernet	✓, TCP/IP
Data transmission rate	≤ 100 Mbit/s
Serial	✓, RS-422
Data transmission rate	19,200 Baud ... 115,200 Baud
Switching outputs	4 (digital)
Optical indicators	0

Mechanics/electronics

Electrical connection	1 x 20-pin Harting plug
Operating voltage	24 V DC, ± 15 %

Power consumption	36 W, + 140 W heating
Housing	PU (polyurethane rigid integral foam)
Housing color	Gray (RAL 7032)
Enclosure rating	IP67
Protection class	III
Weight	9.1 kg
Dimensions (L x W x H)	250 mm x 350 mm x 391.1 mm

Ambient data

Ambient operating temperature	-25 °C ... +50 °C
Storage temperature	-25 °C ... +80 °C

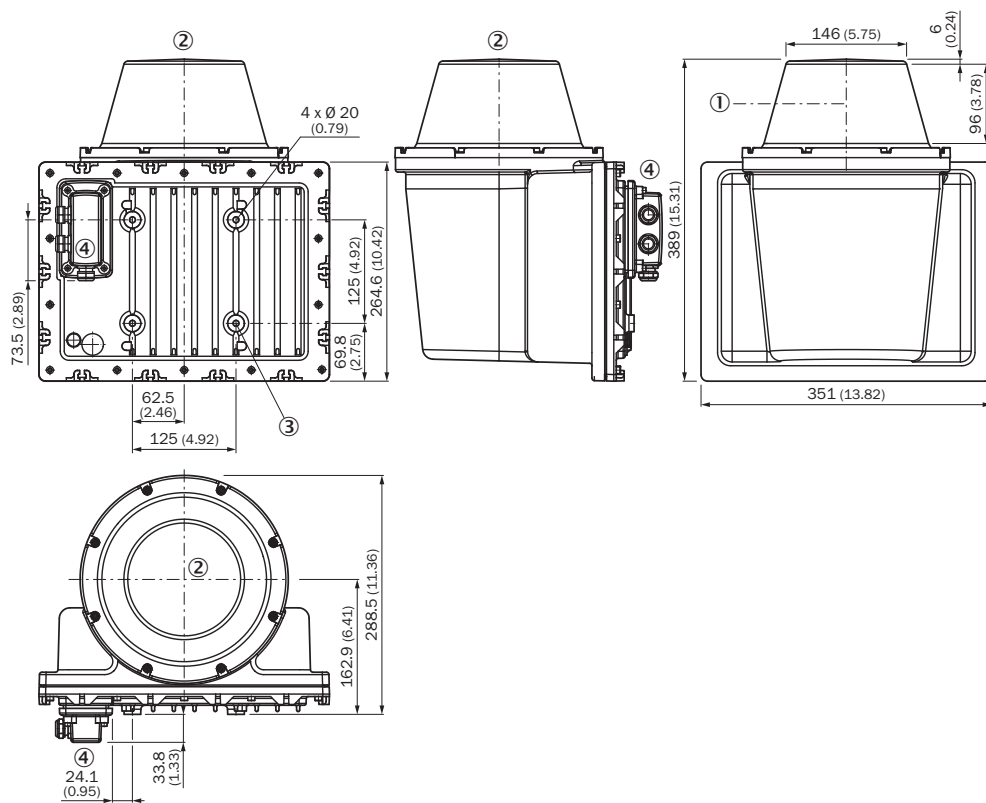
General notes

Note on use	The sensor does not constitute a safety component as defined by relevant legislation on machine safety.
--------------------	---

Classifications

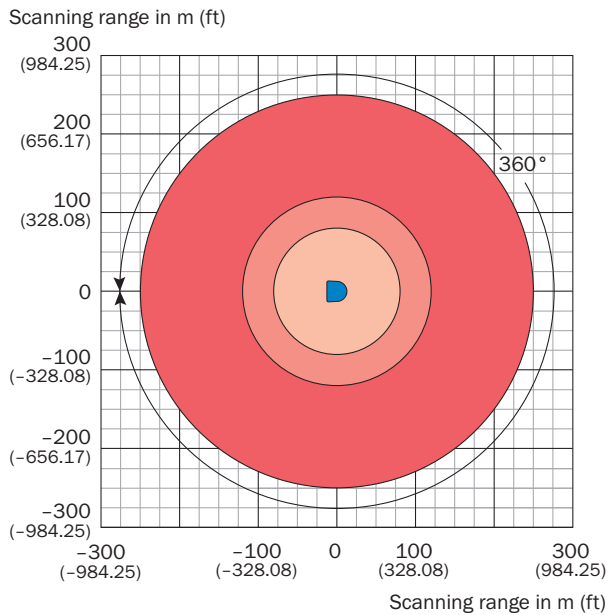
ECl@ss 5.0	27270990
ECl@ss 5.1.4	27270990
ECl@ss 6.0	27270913
ECl@ss 6.2	27270913
ECl@ss 7.0	27270913
ECl@ss 8.0	27270913
ECl@ss 8.1	27270913
ECl@ss 9.0	27270913
ETIM 5.0	EC002550
ETIM 6.0	EC002550
UNSPSC 16.0901	46171620

Dimensional drawing (Dimensions in mm (inch))



- ① Optical axis
- ② Zero level
- ③ Mounting hole M6 threaded -9 mm deep
- ④ RS-232/Ethernet/Power connection (20-pin harting connector)


Operating range diagram



- Scanning range max. 250 m (820.21 ft)
- Scanning range white targets
90 % remission 250 m (820.21 ft)
- Scanning range for objects up to
10 % remission 120 m (393.70 ft) Extended
- Scanning range for objects up to
10 % remission 80 m (262.47 ft)

Recommended accessories

Other models and accessories → www.sick.com/LD-LRS

	Brief description	Type	Part no.
Test and monitoring tools			
	Scan finder, receiver to localize infrared scans	Scan-Finder LS-80L	6020756

SICK AT A GLANCE

SICK is one of the leading manufacturers of intelligent sensors and sensor solutions for industrial applications. A unique range of products and services creates the perfect basis for controlling processes securely and efficiently, protecting individuals from accidents and preventing damage to the environment.

We have extensive experience in a wide range of industries and understand their processes and requirements. With intelligent sensors, we can deliver exactly what our customers need. In application centers in Europe, Asia and North America, system solutions are tested and optimized in accordance with customer specifications. All this makes us a reliable supplier and development partner.

Comprehensive services complete our offering: SICK LifeTime Services provide support throughout the machine life cycle and ensure safety and productivity.

For us, that is “Sensor Intelligence.”

WORLDWIDE PRESENCE:

Contacts and other locations –www.sick.com