

EchoGuard

Tower Mounting Kit

Quad Array Solution for 360° Situational Awareness of the Airspace



Vehicles
> 3.5 km



Humans
> 2.2 km



Inspire II
> 1.2 km



Phantom 4
> 900 m



OVERVIEW

All-weather 24/7 Counter-UAS deployment solution for securely mounting multiple EchoGuard radar units for 1 km sUAS radial detection range. Precisely position radars on a central column for simultaneous overlapping coverage to support 360° azimuth by 80° elevation airspace surveillance without the inherent track update delay from rotational radar systems. Enables camera slew-to-cue coordination, track hand-off, and data fusion with other sensor modalities (ADS-B, RF direction finding, etc). Fully customizable solution that adapts to your site plans and mission requirements.

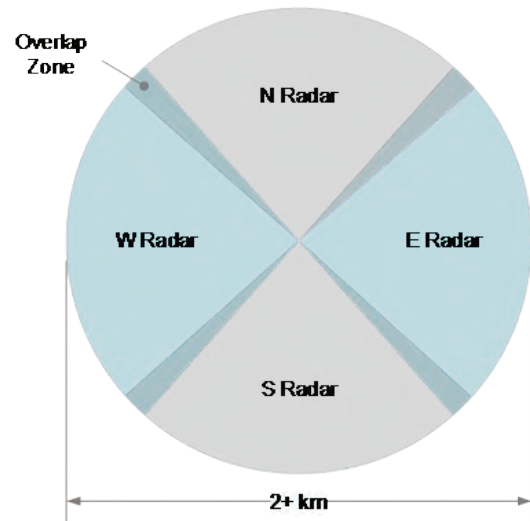
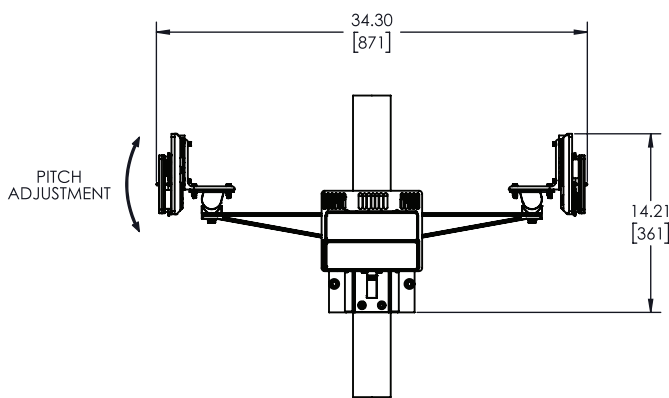
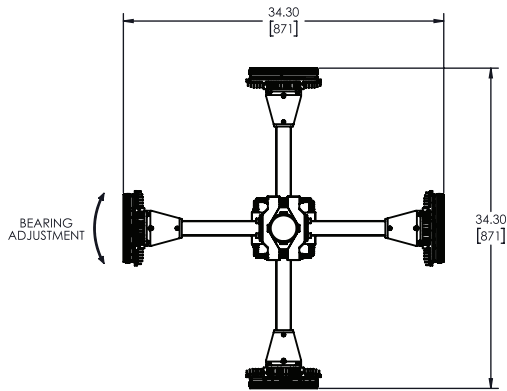
CONTACT

info@echodyne.com
+1.425.454.3246

Copyright © 2019 Echodyne Corp

EchoGuard

Tower Mounting Kit



Key Features

- 4 EchoGuard radars on a pole provide 1 km radial coverage for sUAS
- Modular system includes separate arm brackets and pole adapters
- Easily configurable for mounting 1, 2 or 4 radars
- Powder coated, solid aluminum construction with mounting hardware
- Accommodates pole diameters from 65 to 225+ mm (2.6" to 8.6"+)
- Arm brackets include swivel for customized radar orientations.
- Additional options for building parapet and corner mount solutions.
- Cabling solutions for any scenario

	Part Number	Pole Diameter Range	Weight [kg]*	Nominal Dimensions
Small Kit	700-0016-001	65 - 110 mm [2.6 - 4.3"]	7.6	34.3" W x 14.2" T
Medium Kit	700-0016-002	80 - 150 mm [3.1 - 5.9"]	16.8	39.4" W x 18.0" T
Large Kit	700-0016-003	210 - 225 mm [8.3 - 8.6"]	11.2	42.7" W x 18.1" T

* Weight for 4-up bracket kit, not incl. radars or cabling

	Part Number
2' Interface Cable	570-0001-001
8' Interface Cable	570-0001-002
20' Customizable Interface Cable Pigtail	570-0001-003
Pole-mount interface junction boxes	Call